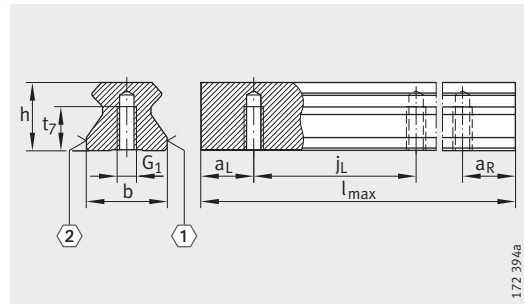


## Linear recirculating roller bearing and guideway assemblies

Full complement  
With chain guide

# Linear recirculating roller bearing and guideway assemblies

Full complement  
Standard and L carriages

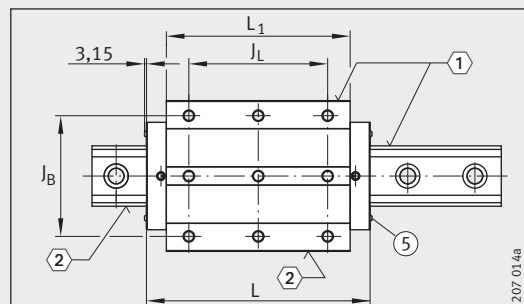


TSX...-E  
①, ②<sup>6)</sup>

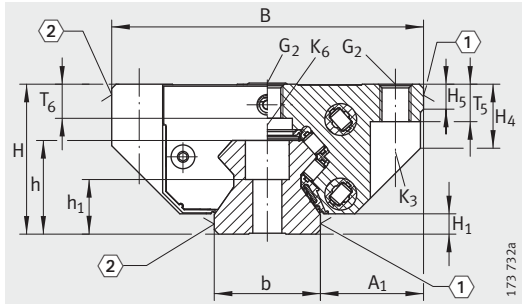
| Dimension table · Dimensions in mm |                |     |     |          |                     |       |                      |       |       |          |       |                 |      |
|------------------------------------|----------------|-----|-----|----------|---------------------|-------|----------------------|-------|-------|----------|-------|-----------------|------|
| Designation                        | Dimensions     |     |     |          | Mounting dimensions |       |                      |       |       |          |       |                 |      |
|                                    | $l_{max}^{1)}$ | H   | B   | $L^{2)}$ | $A_1$               | $J_B$ | $b$                  | $L_1$ | $J_L$ | $J_{LZ}$ | $j_L$ | $a_L, a_R^{3)}$ |      |
|                                    |                |     |     |          |                     |       | $-0,005$<br>$-0,035$ |       |       |          |       | min.            | max. |
| RUE25-D-FE <sup>4)</sup>           | 1 980          | 36  | 70  | 91       | 23,5                | 57    | 23                   | 65,6  | 45    | 40       | 30    | 20              | 23   |
| RUE25-D-OE <sup>5)</sup>           |                |     |     | 107      |                     |       |                      | 82,2  |       |          |       |                 |      |
| RUE25-D-L-FE <sup>4)</sup>         |                |     |     |          |                     |       |                      |       |       |          |       |                 |      |
| RUE25-D-L-OE <sup>5)</sup>         |                |     |     |          |                     |       |                      |       |       |          |       |                 |      |
| RUE35-E                            | 2 960          | 48  | 100 | 122,9    | 33                  | 82    | 34                   | 85,2  | 62    | 52       | 40    | 20              | 31   |
| RUE35-E-L                          |                |     |     | 148,7    |                     |       |                      | 111   |       |          |       |                 |      |
| RUE45-E                            | 2 940          | 60  | 120 | 145,9    | 37,5                | 100   | 45                   | 104,2 | 80    | 60       | 52,5  | 20              | 41   |
| RUE45-E-L                          |                |     |     | 178,3    |                     |       |                      | 136,6 |       |          |       |                 |      |
| RUE55-E                            | 2 520          | 70  | 140 | 172,7    | 43,5                | 116   | 53                   | 127   | 95    | 70       | 60    | 20              | 47   |
| RUE55-E-L                          |                |     |     | 210,7    |                     |       |                      | 165   |       |          |       |                 |      |
| RUE65-E                            | 2 520          | 90  | 170 | 195,5    | 53,5                | 142   | 63                   | 141,2 | 110   | 82       | 75    | 20              | 61   |
| RUE65-E-L                          |                |     |     | 261,9    |                     |       |                      | 207,6 |       |          |       |                 |      |
| RUE100-E-L                         | 2 730          | 120 | 250 | 372,2    | 75                  | 200   | 100                  | 306,5 | 230   | -        | 105   | 20              | 83   |

For further table values, see page 118 and page 119.

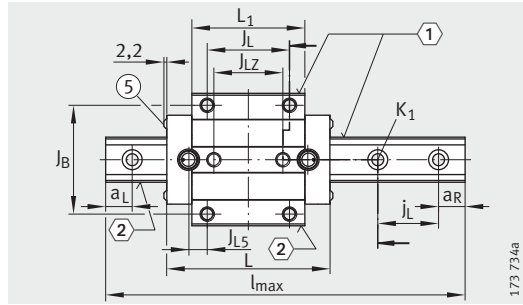
- 1) Maximum length of single-piece guideways. For permissible number of guideway pieces, see page 112. Maximum single-piece guideway length of 6 m available by agreement.
- 2) Minimum covered length for sealing the lubrication connectors.
- 3)  $a_L$  and  $a_R$  are dependent on the guideway length.
- 4) Grease lubrication.
- 5) Oil lubrication.
- 6) ① Locating face  
② Marking  
③ Screw plug,  $M_A = 2,5$  Nm  
④ Fixing screw,  $M_A = 2,5$  Nm  
⑤ Fixing screw



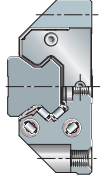
RUE100-E-L  
①, ②, ⑤<sup>6)</sup>



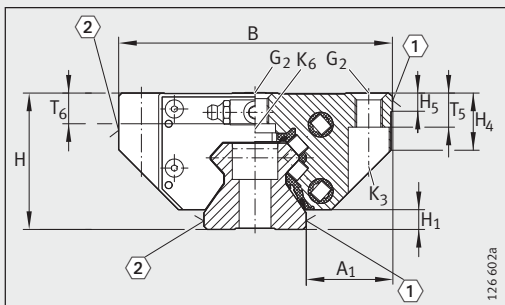
RUE...-E (-L)  
①, ②, ⑥



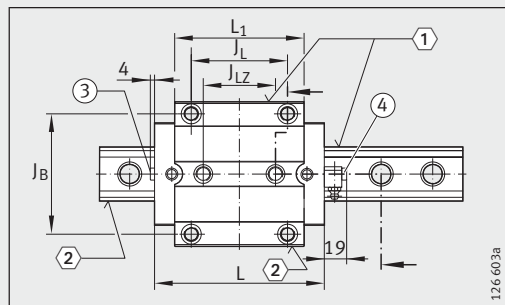
RUE...-E (-L) · View rotated 90°  
①, ②, ⑤, ⑥



|                |                |                |                |                |                |      |                | Fixing screws      |                |                |                |                |                |                |                |                |                |               |                |
|----------------|----------------|----------------|----------------|----------------|----------------|------|----------------|--------------------|----------------|----------------|----------------|----------------|----------------|----------------|----------------|----------------|----------------|---------------|----------------|
| H <sub>1</sub> | H <sub>5</sub> | H <sub>4</sub> | T <sub>5</sub> | T <sub>6</sub> | t <sub>7</sub> | h    | h <sub>1</sub> | G <sub>1</sub>     |                | G <sub>2</sub> |                | K <sub>1</sub> |                | K <sub>3</sub> |                | K <sub>6</sub> |                |               |                |
|                |                |                |                |                |                |      |                | DIN ISO 4 762-12.9 |                |                |                |                |                |                |                |                |                | DIN 7 984-8.8 |                |
|                |                |                |                |                |                |      |                |                    | M <sub>A</sub> |                | M <sub>A</sub> |                | M <sub>A</sub> |                | M <sub>A</sub> |                | M <sub>A</sub> |               | M <sub>A</sub> |
|                |                |                |                |                |                |      |                |                    | Nm             |                | Nm             |                | Nm             |                | Nm             |                | Nm             |               | Nm             |
| 6,5            | 7,5            | 17,5           | 10             | 8,65           | 12,5           | 22,3 | 14,3           | M6                 | 17             | M8             | 24             | M6             | 17             | M6             | 17             | M6             | 10             |               |                |
| 6,5            | 8              | 20,5           | 12             | 10,9           | 15             | 30   | 17,5           | M8                 | 41             | M10            | 41             | M8             | 41             | M8             | 41             | M8             | 24             |               |                |
| 8,5            | 8              | 26             | 15             | 13,2           | 20             | 38   | 19,5           | M12                | 140            | M12            | 83             | M12            | 140            | M10            | 83             | M10            | 48             |               |                |
| 11             | 12             | 32             | 18             | 14,8           | 22             | 45   | 22,5           | M14                | 220            | M14            | 140            | M14            | 220            | M12            | 140            | M12            | 83             |               |                |
| 11,5           | 15             | 39,2           | 23,3           | 23,3           | 25             | 53,8 | 28,8           | M16                | 340            | M16            | 220            | M16            | 340            | M14            | 220            | M14            | 130            |               |                |
| 15             | 25             | 51,3           | 29             | 26,6           | -              | 80   | 48             | -                  | -              | M20            | 470            | M24            | 1100           | M16            | 340            | M16            | 220            |               |                |



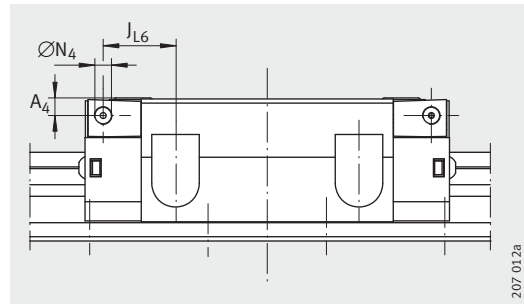
RUE25-D (-L)  
①, ②, ⑥



RUE25-D (-L) · View rotated 90°  
①, ②, ③, ④, ⑥

# Linear recirculating roller bearing and guideway assemblies

Full complement  
Standard and L carriages



Lubrication connector on lateral face

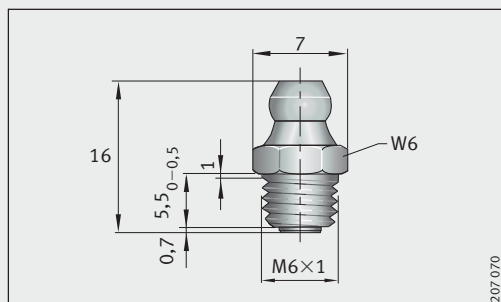
**Dimension table** (continued) · Dimensions in mm

| Designation         | Carriage     |                | Guideway    |                  |              |                 | Dimensioning of lubrication connectors |                |                              |                |
|---------------------|--------------|----------------|-------------|------------------|--------------|-----------------|--|----------------|------------------------------|----------------|
|                     | Designation  | Mass m<br>≈ kg | Designation | Mass m<br>≈ kg/m | Closing plug | Covering strip  |  | A <sub>3</sub> | N <sub>3</sub> <sup>3)</sup> | A <sub>4</sub> |
|                     |              |                |             |                  |              | Adhesive bonded | Clip fit                               |                |                              |                |
| <b>RUE25-D-FE</b>   | RWU25-D-FE   | 0,7            | TSX25-D(-U) | 3,3              | KA11-TN      | ADB13           | ADB13-K                                | 7,5            | M6                           | -              |
| <b>RUE25-D-OE</b>   | RWU25-D-OE   |                |             |                  |              |                 |  |                |                              |                |
| <b>RUE25-D-L-FE</b> | RWU25-D-L-FE |                |             |                  |              |                 |  |                |                              |                |
| <b>RUE25-D-L-OE</b> | RWU25-D-L-OE |                |             |                  |              |                 |  |                |                              |                |
| <b>RUE35-E</b>      | RWU35-E      | 1,75           | TSX35-E(-U) | 5,9              | KA15-TN      | ADB18           | ADB18-K                                | 6,6            | M6                           | 5,6            |
| <b>RUE35-E-L</b>    | RWU35-E-L    | 2,29           |             |                  |              |                 |  |                |                              |                |
| <b>RUE45-E</b>      | RWU45-E      | 3,07           | TSX45-E(-U) | 9,4              | KA20-TN      | ADB23           | ADB23-K                                | 6,6            | M6                           | 6,6            |
| <b>RUE45-E-L</b>    | RWU45-E-L    | 4,05           |             |                  |              |                 |  |                |                              |                |
| <b>RUE55-E</b>      | RWU55-E      | 5,24           | TSX55-E(-U) | 13,1             | KA24-TN      | ADB27           | ADB27-K                                | 8,1            | M6                           | 8,1            |
| <b>RUE55-E-L</b>    | RWU55-E-L    | 6,83           |             |                  |              |                 |  |                |                              |                |
| <b>RUE65-E</b>      | RWU65-E      | 9,32           | TSX65-E(-U) | 21,5             | KA26-TN      | ADB29           | ADB29-K                                | 19,6           | M6                           | 19,6           |
| <b>RUE65-E-L</b>    | RWU65-E-L    | 13,8           |             |                  |              |                 |  |                |                              |                |
| <b>RUE100-E-L</b>   | RWU100-E-L   | 36,4           | TSX100-E    | 45,3             | KA40-M       | -               | -                                      | 10,6           | M6                           | 10,6           |

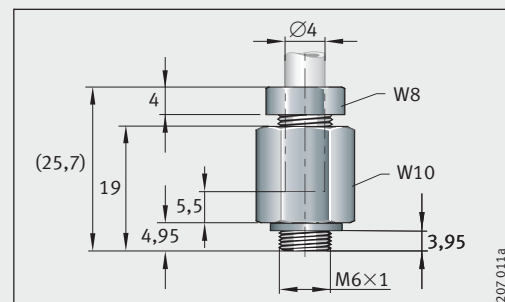
1) Maximum diameter of lubrication hole in adjacent construction.

2) Position of lubrication hole in adjacent construction.

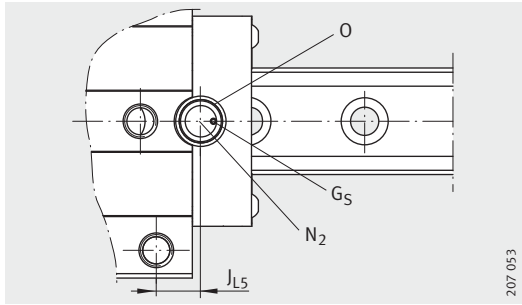
3) Maximum screw depth 6 mm.



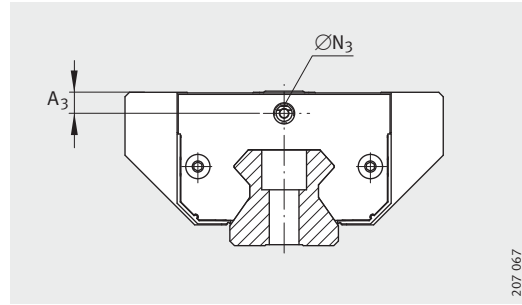
Lubrication nipple according to DIN 71412-A-M6,  
Width across flats W = 6 mm



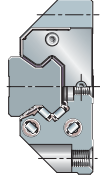
Connector with union nut,  
width across flats W1 = 8 mm, W2 = 10 mm



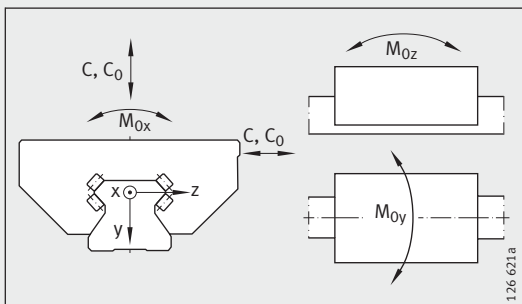
Lubrication connector in top face



Dimensioning of lubrication connector in end face



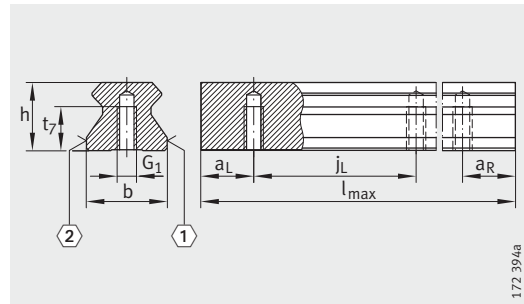
|                |                 |                              |                               |                  |                  |                | Load carrying capacity |                |                 |                 |                 |
|----------------|-----------------|------------------------------|-------------------------------|------------------|------------------|----------------|------------------------|----------------|-----------------|-----------------|-----------------|
| N <sub>4</sub> | J <sub>L6</sub> | N <sub>2</sub> <sup>1)</sup> | J <sub>L5</sub> <sup>2)</sup> | G <sub>5</sub>   |                  | O<br>DIN 3 771 | Basic load ratings     |                | Moment ratings  |                 |                 |
|                |                 |                              |                               | DIN EN ISO 4 026 | DIN EN ISO 4 027 |                | C                      | C <sub>0</sub> | M <sub>0x</sub> | M <sub>0y</sub> | M <sub>0z</sub> |
|                |                 |                              |                               | N                | N                |                | Nm                     | Nm             | Nm              |                 |                 |
| -              | -               | 3                            | 14,5                          | -                | -                | 10X1,5         | 28 000                 | 65 000         | 350             | 760             | 680             |
|                |                 |                              | 23                            | -                | -                |                | 33 500                 | 82 000         | 440             | 1 200           | 1 080           |
| M6             | 24,4            | 6                            | 14,3                          | M2,5X3           | -                | 10X1,5         | 59 000                 | 140 000        | 1 200           | 2 150           | 1 950           |
|                | 37,4            |                              | 27,2                          |                  |                  |                | 70 000                 | 175 000        | 1 500           | 3 350           | 3 000           |
| M6             | 27              | 6                            | 15,7                          | M2,5X3           | -                | 10X1,5         | 92 000                 | 215 000        | 1 899           | 4 255           | 3 821           |
|                | 43,2            |                              | 31,9                          |                  |                  |                | 114 000                | 285 000        | 2 503           | 7 263           | 6 536           |
| M6             | 32,9            | 6                            | 21,6                          | -                | M4X4             | 10X1,5         | 136 000                | 320 000        | 3 287           | 7 404           | 6 667           |
|                | 51,9            |                              | 40,6                          |                  |                  |                | 167 000                | 415 000        | 4 226           | 12 214          | 11 010          |
| M6             | 34,8            | 6                            | 15,6                          | -                | M4X4             | 18X1,5         | 200 000                | 435 000        | 5 450           | 12 100          | 10 900          |
|                | 68,1            |                              | 48,8                          |                  |                  |                | 270 000                | 640 000        | 7 600           | 24 000          | 21 500          |
| ∅5,6           | 65,1            | 6                            | 47,15                         | -                | M4X4             | 10X1,5         | 630 000                | 1 490 000      | 33 780          | 80 250          | 72 280          |



Load directions

# Linear recirculating roller bearing and guideway assemblies

Full complement H and HL carriages

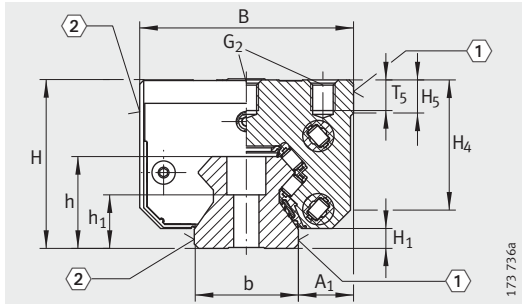


TSX..-E-U  
①, ②<sup>6)</sup>

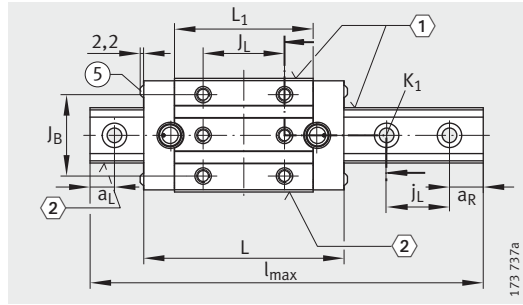
| Dimension table · Dimensions in mm |                |     |     |          |                     |       |                      |       |       |       |                 |      |
|------------------------------------|----------------|-----|-----|----------|---------------------|-------|----------------------|-------|-------|-------|-----------------|------|
| Designation                        | Dimensions     |     |     |          | Mounting dimensions |       |                      |       |       |       |                 |      |
|                                    | $l_{max}^{1)}$ | H   | B   | $L^{2)}$ | $A_1$               | $J_B$ | $b$                  | $L_1$ | $J_L$ | $j_L$ | $a_L, a_R^{3)}$ |      |
|                                    |                |     |     |          |                     |       | $-0,005$<br>$-0,035$ |       |       |       | min.            | max. |
| RUE25-D-H-FE <sup>4)</sup>         | 1980           | 40  | 48  | 90,6     | 12,5                | 35    | 23                   | 65,6  | 35    | 30    | 20              | 23   |
| RUE25-D-H-OE <sup>5)</sup>         |                |     |     |          |                     |       |                      |       |       |       |                 |      |
| RUE25-D-HL-FE <sup>4)</sup>        |                |     |     | 107      |                     |       |                      | 82,2  | 50    |       |                 |      |
| RUE25-D-HL-OE <sup>5)</sup>        |                |     |     |          |                     |       |                      |       |       |       |                 |      |
| RUE35-E-H                          | 2960           | 55  | 70  | 122,9    | 18                  | 50    | 34                   | 85,2  | 50    | 40    | 20              | 31   |
| RUE35-E-HL                         |                |     |     | 148,7    |                     |       |                      | 111   | 72    |       |                 |      |
| RUE45-E-H                          | 2940           | 70  | 86  | 145,9    | 20,5                | 60    | 45                   | 104,2 | 60    | 52,5  | 20              | 41   |
| RUE45-E-HL                         |                |     |     | 178,3    |                     |       |                      | 136,6 | 80    |       |                 |      |
| RUE55-E-H                          | 2520           | 80  | 100 | 172,7    | 23,5                | 75    | 53                   | 127   | 75    | 60    | 20              | 47   |
| RUE55-E-HL                         |                |     |     | 210,7    |                     |       |                      | 165   | 95    |       |                 |      |
| RUE65-E-H                          | 2520           | 100 | 126 | 195,5    | 31,5                | 76    | 63                   | 141,2 | 70    | 75    | 20              | 61   |
| RUE65-E-HL                         |                |     |     | 261,9    |                     |       |                      | 207,6 | 120   |       |                 |      |

For further table values, see page 122 and page 123.

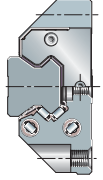
- 1) Maximum length of single-piece guideways. For permissible number of guideway pieces, see page 112.  
Maximum single-piece guideway length of 6 mm available by agreement.
- 2) Minimum covered length for sealing the lubrication connectors.
- 3)  $a_L$  and  $a_R$  are dependent on the guideway length.
- 4) Grease lubrication.
- 5) Oil lubrication.
- 6) ① Locating face  
② Marking  
③ Screw plug,  $M_A = 2,5 \text{ Nm}$   
④ Fixing screw,  $M_A = 2,5 \text{ Nm}$   
⑤ Fixing screw



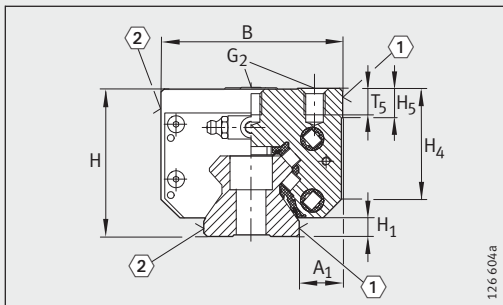
RUE..-E-H (-HL)  
①, ②<sup>6)</sup>



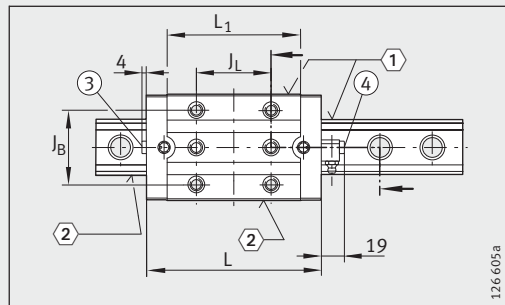
RUE..-E-H (-HL) · View rotated 90°  
①, ②, ⑤<sup>6)</sup>



|                |                |                |                |                |      |                | Fixing screws      |                   |                |                   |                |                   |
|----------------|----------------|----------------|----------------|----------------|------|----------------|--------------------|-------------------|----------------|-------------------|----------------|-------------------|
| H <sub>1</sub> | H <sub>5</sub> | H <sub>4</sub> | T <sub>5</sub> | t <sub>7</sub> | h    | h <sub>1</sub> | G <sub>1</sub>     |                   | G <sub>2</sub> |                   | K <sub>1</sub> |                   |
|                |                |                |                |                |      | ±0,5           | DIN ISO 4 762-12.9 |                   |                |                   |                |                   |
|                |                |                |                |                |      |                |                    | M <sub>A</sub> Nm |                | M <sub>A</sub> Nm |                | M <sub>A</sub> Nm |
| 6,5            | 7,5            | 32,5           | 7,5            | 12,5           | 22,3 | 11,8           | M6                 | 17                | M6             | 17                | M6             | 17                |
| 6,5            | 10,8           | 41,9           | 10             | 15             | 30   | 17,5           | M8                 | 41                | M8             | 41                | M8             | 41                |
| 8,5            | 13,7           | 52,4           | 12,5           | 20             | 38   | 19,5           | M12                | 140               | M10            | 83                | M12            | 140               |
| 11             | 16             | 61,4           | 15             | 22             | 45   | 22,5           | M14                | 220               | M12            | 140               | M14            | 220               |
| 11,5           | 15             | 71,2           | 20             | 25             | 53,8 | 28,8           | M16                | 340               | M14            | 220               | M16            | 340               |



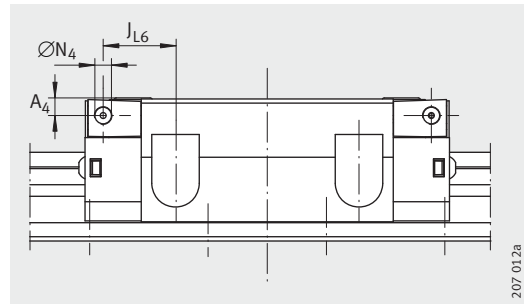
RUE25-D-H (-HL)  
①, ②<sup>6)</sup>



RUE25-D-H (-HL) · View rotated 90°  
①, ②, ③, ④<sup>6)</sup>

# Linear recirculating roller bearing and guideway assemblies

Full complement  
H and HL carriages



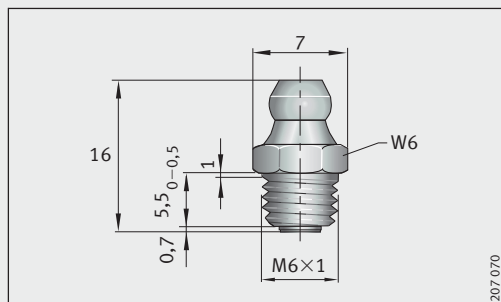
Lubrication connector on lateral face

| Dimension table (continued) - Dimensions in mm |             |               |             |                 |              |                 |  |       |                     |       |
|--|-------------|---------------|-------------|-----------------|--------------|-----------------|--|-------|---------------------|-------|
| Designation                                    | Carriage    |               | Guideway    |                 |              |                 | Dimensioning of lubrication connectors |       |                     |       |
|  | Designation | Mass m<br>≈kg | Designation | Mass m<br>≈kg/m | Closing plug | Covering strip  |  | $A_3$ | $N_3$ <sup>3)</sup> | $A_4$ |
|  |             |               |             |                 |              | Adhesive bonded | Clip fit                               |       |                     |       |
| <b>RUE25-D-H-FE</b>                            | RWU25-D-H   | 0,6           | TSX25-D(-U) | 3,3             | KA11-TN      | ADB13           | ADB13-K                                | 11,5  | M6                  | -     |
| <b>RUE25-D-H-OE</b>                            |             |               |             |                 |              |                 |  |       |                     |       |
| <b>RUE25-D-HL-FE</b>                           | RWU25-D-HL  | 0,8           |             |                 |              |                 |  |       |                     |       |
| <b>RUE25-D-HL-OE</b>                           |             |               |             |                 |              |                 |  |       |                     |       |
| <b>RUE35-E-H</b>                               | RWU35-E-H   | 1,67          | TSX35-E(-U) | 5,9             | KA15-TN      | ADB18           | ADB18-K                                | 13,6  | M6                  | 12,6  |
| <b>RUE35-E-HL</b>                              | RWU35-E-HL  | 2,14          |             |                 |              |                 |  |       |                     |       |
| <b>RUE45-E-H</b>                               | RWU45-E-H   | 3,05          | TSX45-E(-U) | 9,4             | KA20-TN      | ADB23           | ADB23-K                                | 16,6  | M6                  | 16,6  |
| <b>RUE45-E-HL</b>                              | RWU45-E-HL  | 3,95          |             |                 |              |                 |  |       |                     |       |
| <b>RUE55-E-H</b>                               | RWU55-E-H   | 4,94          | TSX55-E(-U) | 13,1            | KA24-TN      | ADB27           | ADB27-K                                | 18,1  | M6                  | 18,1  |
| <b>RUE55-E-HL</b>                              | RWU55-E-HL  | 6,34          |             |                 |              |                 |  |       |                     |       |
| <b>RUE65-E-H</b>                               | RWU65-E-H   | 8,9           | TSX65-E(-U) | 21,5            | KA26-TN      | ADB29           | ADB29-K                                | 29,6  | M6                  | 29,6  |
| <b>RUE65-E-HL</b>                              | RWU65-E-HL  | 12,89         |             |                 |              |                 |  |       |                     |       |

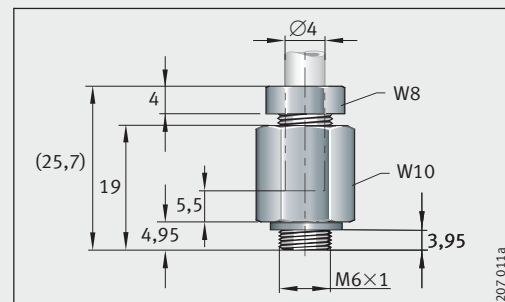
1) Maximum diameter of lubrication hole in adjacent construction.

2) Position of lubrication hole in adjacent construction.

3) Maximum screw depth 6 mm.

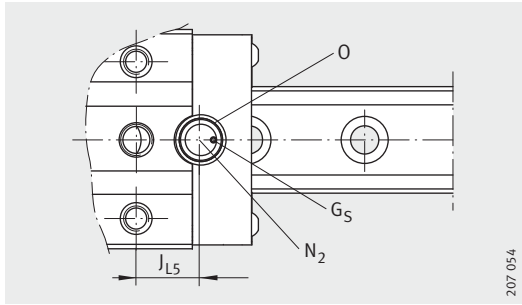


Lubrication nipple according to DIN 71412-A-M6,  
Width across flats  $W = 6$  mm

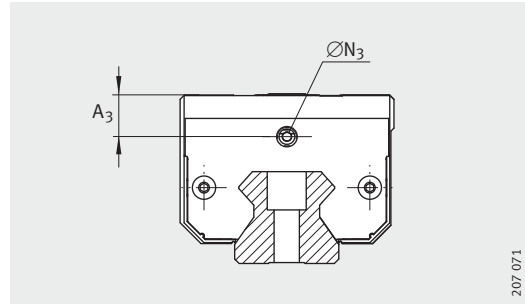


Connector with union nut,  
width across flats  $W_1 = 8$  mm,  $W_2 = 10$  mm

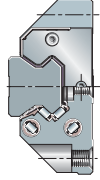




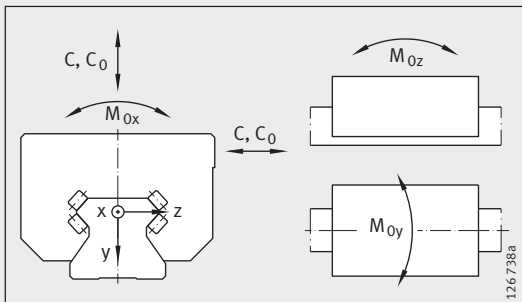
Lubrication connector in top face



Dimensioning of lubrication connector in end face



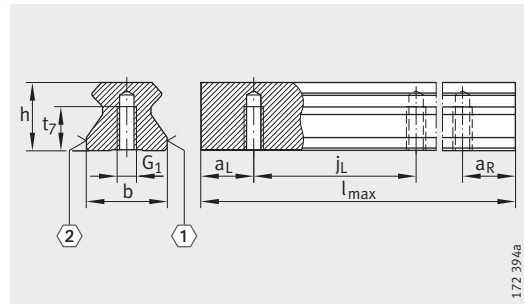
|                |                 |                              |                               |                  |                  |           | Load carrying capacity |                |                 |                 |                 |
|----------------|-----------------|------------------------------|-------------------------------|------------------|------------------|-----------|------------------------|----------------|-----------------|-----------------|-----------------|
| N <sub>4</sub> | J <sub>L6</sub> | N <sub>2</sub> <sup>1)</sup> | J <sub>L5</sub> <sup>2)</sup> | G <sub>S</sub>   |                  | O         | Basic load ratings     |                | Moment ratings  |                 |                 |
|                |                 |                              |                               | DIN EN ISO 4 026 | DIN EN ISO 4 027 | DIN 3 771 | C                      | C <sub>0</sub> | M <sub>0x</sub> | M <sub>0y</sub> | M <sub>0z</sub> |
|                |                 |                              |                               |                  |                  |           | N                      | N              | Nm              | Nm              | Nm              |
| -              | -               | 3                            | 19,5                          | -                | -                | 10X1,5    | 28 000                 | 65 000         | 350             | 760             | 680             |
|                |                 |                              | 20,3                          |                  |                  |           | 3 500                  | 82 000         | 440             | 1 200           | 1 080           |
| M6             | 30,4            | 6                            | 20,3                          | M2,5X3           | -                | 10X1,5    | 59 000                 | 140 000        | 1 200           | 2 150           | 1 950           |
|                | 32,4            |                              | 70 000                        |                  |                  |           | 175 000                | 1 500          | 3 350           | 3 000           |                 |
| M6             | 37              | 6                            | 25,7                          | M2,5X3           | -                | 10X1,5    | 92 000                 | 215 000        | 1 899           | 4 255           | 3 821           |
|                | 43,2            |                              | 114 000                       |                  |                  |           | 285 000                | 2 503          | 7 263           | 6 536           |                 |
| M6             | 42,9            | 6                            | 31,6                          | -                | M4X4             | 10X1,5    | 136 000                | 320 000        | 3 287           | 7 404           | 6 667           |
|                | 51,9            |                              | 167 000                       |                  |                  |           | 415 000                | 4 226          | 12 214          | 11 010          |                 |
| M6             | 54,8            | 6                            | 35,6                          | -                | M4X4             | 18X1,5    | 200 000                | 435 000        | 5 450           | 12 100          | 10 900          |
|                | 63,1            |                              | 270 000                       |                  |                  |           | 640 000                | 7 600          | 24 000          | 21 500          |                 |



Load directions

# Linear recirculating roller bearing and guideway assemblies

With chain guide  
L and HL carriages

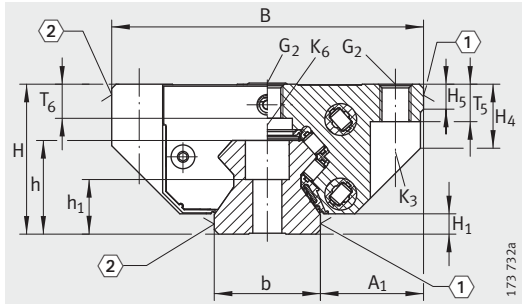


TSX..-E-U  
①, ②<sup>4)</sup>

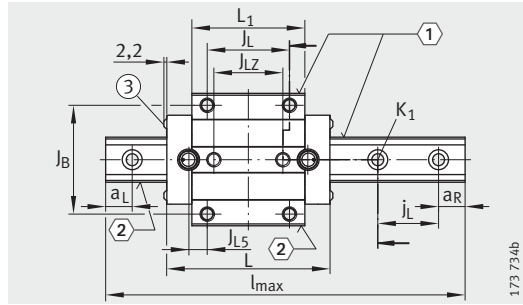
| Dimension table · Dimensions in mm |                |    |     |          |                     |       |   |       |       |          |       |                 |      |
|------------------------------------|----------------|----|-----|----------|---------------------|-------|---|-------|-------|----------|-------|-----------------|------|
| Designation                        | Dimensions     |    |     |          | Mounting dimensions |       |   |       |       |          |       |                 |      |
|                                    | $l_{max}^{1)}$ | H  | B   | $L^{2)}$ | $A_1$               | $J_B$ | $b$<br><small>-0,005<br/>-0,035</small> | $L_1$ | $J_L$ | $J_{LZ}$ | $j_L$ | $a_L, a_R^{3)}$ |      |
|                                    |                |    |     |          |                     |       |   |       |       |          |       | min.            | max. |
| <b>RUE35-E-KT-L</b>                | 2 960          | 48 | 100 | 148,7    | 33                  | 82    | 34                                      | 111   | 62    | 52       | 40    | 20              | 31   |
| <b>RUE35-E-KT-HL</b>               |                | 55 | 70  |          | 18                  | 50    |   |       | 72    | -        |       |                 |      |
| <b>RUE45-E-KT-L</b>                | 2 940          | 60 | 120 | 178,3    | 37,5                | 100   | 45                                      | 136,6 | 80    | 60       | 52,5  | 20              | 41   |
| <b>RUE45-E-KT-HL</b>               |                | 70 | 86  |          | 20,5                | 60    |   |       | -     |          |       |                 |      |
| <b>RUE55-E-KT-L</b>                | 2 520          | 70 | 140 | 210,7    | 43,5                | 116   | 53                                      | 165   | 95    | 70       | 60    | 20              | 47   |
| <b>RUE55-E-KT-HL</b>               |                | 80 | 100 |          | 23,5                | 75    |   |       | -     |          |       |                 |      |

For further table values, see page 126 and page 127.

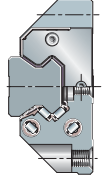
- 1) Maximum length of single-piece guideways. For permissible number of guideway pieces, see page 112. Maximum single-piece guideway length of 6 m available by agreement.
- 2) Minimum covered length for sealing the lubrication connectors.
- 3)  $a_L$  and  $a_R$  are dependent on the guideway length.
- 4) ① Locating face  
② Marking  
③ Fixing screw



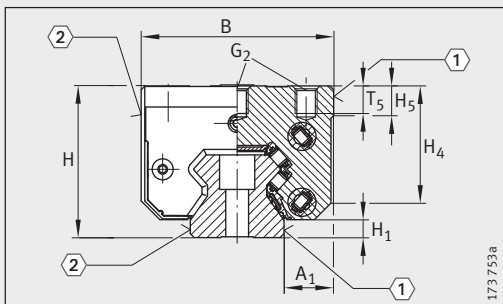
RUE...-E-KT-L  
①, ②<sup>4)</sup>



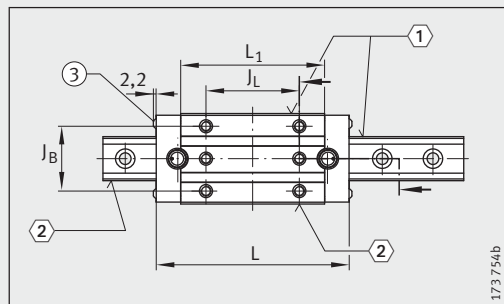
RUE...-E-KT-L · View rotated 90°  
①, ②, ③<sup>4)</sup>



|                |                |                |                |                |                |    |                |      | Fixing screws        |     |                      |     |                      |     |                      |     |                      |  |
|----------------|----------------|----------------|----------------|----------------|----------------|----|----------------|------|----------------------|-----|----------------------|-----|----------------------|-----|----------------------|-----|----------------------|--|
| H <sub>1</sub> | H <sub>5</sub> | H <sub>4</sub> | T <sub>5</sub> | T <sub>6</sub> | t <sub>7</sub> | h  | h <sub>1</sub> | ±0,5 | G1                   |     | G2                   |     | K1                   |     | K3                   |     | K6                   |  |
|                |                |                |                |                |                |    |                |      | DIN ISO 4 762-12.9   |     |                      |     |                      |     |                      |     | DIN 7 984-8.8        |  |
|                |                |                |                |                |                |    |                |      | M <sub>A</sub><br>Nm |     | M <sub>A</sub><br>Nm |     | M <sub>A</sub><br>Nm |     | M <sub>A</sub><br>Nm |     | M <sub>A</sub><br>Nm |  |
| 6,5            | 8              | 20,5           | 12             | 10,9           | 15             | 30 | 17,5           | M8   | 41                   | M10 | 41                   | M8  | 41                   | M8  | 41                   | M8  | 24                   |  |
|                | 10,8           | 41,9           | 10             | -              |                |    |                |      |                      | M8  |                      |     |                      | -   | -                    | -   |                      |  |
| 8,5            | 8              | 26             | 15             | 13,2           | 20             | 38 | 19,5           | M12  | 140                  | M12 | 83                   | M12 | 140                  | M10 | 83                   | M10 | 48                   |  |
|                | 13,7           | 52,4           | 12,5           | -              |                |    |                |      |                      | M10 |                      |     |                      | -   | -                    | -   |                      |  |
| 11             | 12             | 32             | 18             | 14,8           | 22             | 45 | 22,5           | M14  | 220                  | M14 | 140                  | M14 | 220                  | M12 | 140                  | M12 | 83                   |  |
|                | 16             | 61,4           | 15             | -              |                |    |                |      |                      | M12 |                      |     |                      | -   | -                    | -   |                      |  |



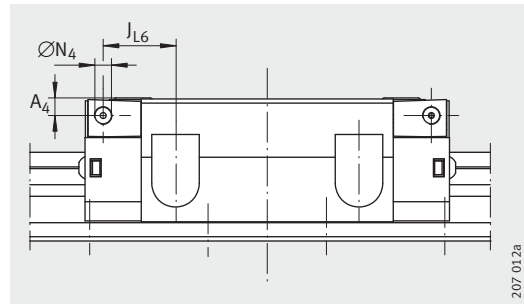
RUE...-E-KT-HL  
①, ②<sup>4)</sup>



RUE...-E-KT-HL · View rotated 90°  
①, ②, ③<sup>4)</sup>

# Linear recirculating roller bearing and guideway assemblies

With chain guide  
L and HL carriages



Lubrication connector on lateral face

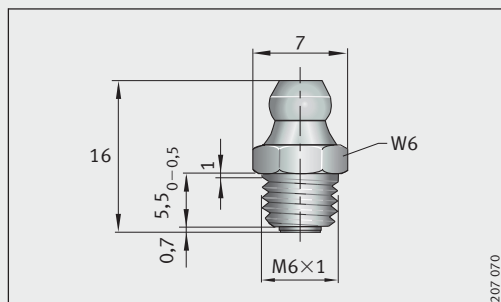
**Dimension table** (continued) · Dimensions in mm

| Designation          | Carriage      |                | Guideway    |                  |              |                 | Dimensioning of lubrication connectors |                |                              |                |
|----------------------|---------------|----------------|-------------|------------------|--------------|-----------------|--|----------------|------------------------------|----------------|
|                      | Designation   | Mass m<br>≈ kg | Designation | Mass m<br>≈ kg/m | Closing plug | Covering strip  |  | A <sub>3</sub> | N <sub>3</sub> <sup>3)</sup> | A <sub>4</sub> |
|                      |               |                |             |                  |              | Adhesive bonded | Clip fit                               |                |                              |                |
| <b>RUE35-E-KT-L</b>  | RWU35-E-KT-L  | 2,28           | TSX35-E(-U) | 5,9              | KA15-TN      | ADB18           | ADB18-K                                | 6,6            | M6                           | 5,6            |
| <b>RUE35-E-KT-HL</b> | RWU35-E-KT-HL | 2,14           |             |                  |              |                 |  | 13,6           |                              | 12,6           |
| <b>RUE45-E-KT-L</b>  | RWU45-E-KT-L  | 3,97           | TSX45-E(-U) | 9,4              | KA20-TN      | ADB23           | ADB23-K                                | 6,6            | M6                           | 6,6            |
| <b>RUE45-E-KT-HL</b> | RWU45-E-KT-HL | 3,99           |             |                  |              |                 |  | 16,6           |                              | 16,6           |
| <b>RUE55-E-KT-L</b>  | RWU55-E-KT-L  | 6,72           | TSX55-E(-U) | 13,1             | KA24-TN      | ADB27           | ADB27-K                                | 8,1            | M6                           | 8,1            |
| <b>RUE55-E-KT-HL</b> | RWU55-E-KT-HL | 6,23           |             |                  |              |                 |  | 18,1           |                              | 18,1           |

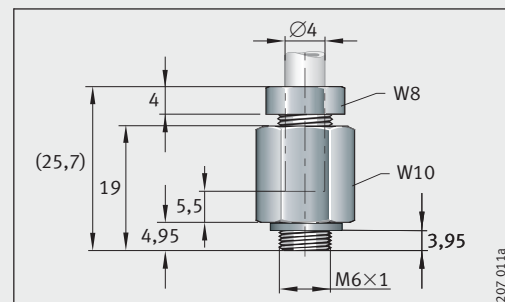
1) Maximum diameter of lubrication hole in adjacent construction.

2) Position of lubrication hole in adjacent construction.

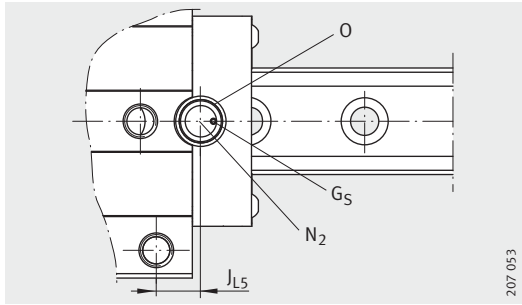
3) Maximum screw depth 6 mm.



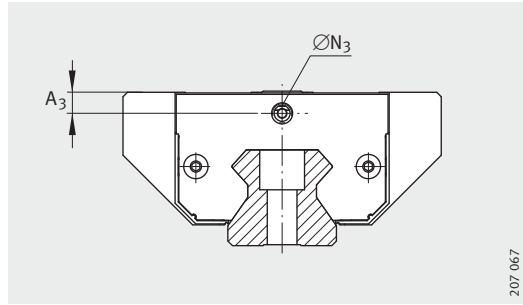
Lubrication nipple according to DIN 71412-A-M6,  
Width across flats W = 6 mm



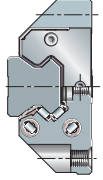
Connector with union nut,  
width across flats W1 = 8 mm, W2 = 10 mm



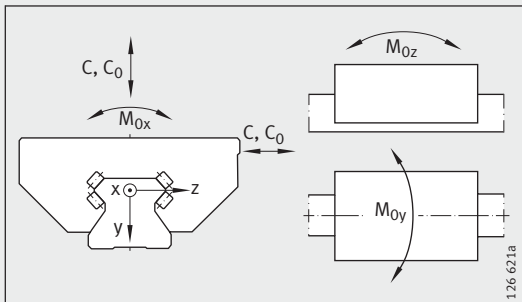
Lubrication connector in top face



Dimensioning of lubrication connector in end face



|                |                 |                              |                               |                  |                  |           | Load carrying capacity |                |                 |                 |                 |
|----------------|-----------------|------------------------------|-------------------------------|------------------|------------------|-----------|------------------------|----------------|-----------------|-----------------|-----------------|
| N <sub>4</sub> | J <sub>L6</sub> | N <sub>2</sub> <sup>1)</sup> | J <sub>L5</sub> <sup>2)</sup> | G <sub>5</sub>   |                  | O         | Basic load ratings     |                | Moment ratings  |                 |                 |
|                |                 |                              |                               | DIN EN ISO 4 026 | DIN EN ISO 4 027 | DIN 3 771 | C                      | C <sub>0</sub> | M <sub>0x</sub> | M <sub>0y</sub> | M <sub>0z</sub> |
|                |                 |                              |                               | N                | N                | Nm        | Nm                     | Nm             |                 |                 |                 |
| M6             | 37,4            | 6                            | 27,2                          | M2,5X3           | -                | 10X1,5    | 54 000                 | 126 000        | 1 100           | 2 500           | 2 250           |
|                | 32,4            |                              | 22,2                          |                  |                  |           |                        |                |                 |                 |                 |
| M6             | 43,2            | 6                            | 31,9                          | M2,5X3           | -                | 10X1,5    | 92 000                 | 214 000        | 1 833           | 4 528           | 4 077           |
|                | 43,2            |                              |                               |                  |                  |           |                        |                |                 |                 |                 |
| M6             | 51,9            | 6                            | 40,6                          | -                | M4X4             | 10X1,5    | 138 000                | 325 000        | 3 279           | 9 447           | 8 497           |
|                | 51,9            |                              |                               |                  |                  |           |                        |                |                 |                 |                 |



Load directions